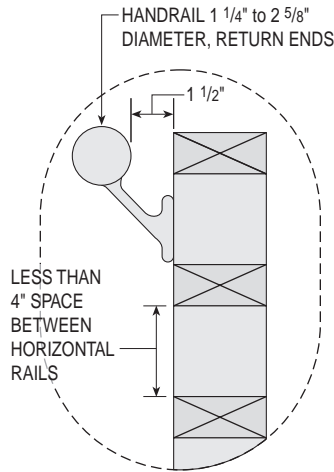
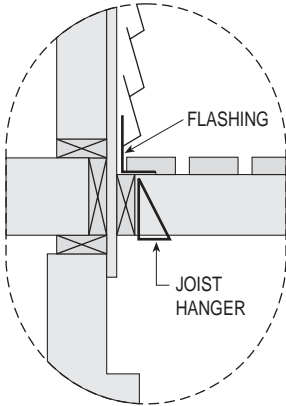
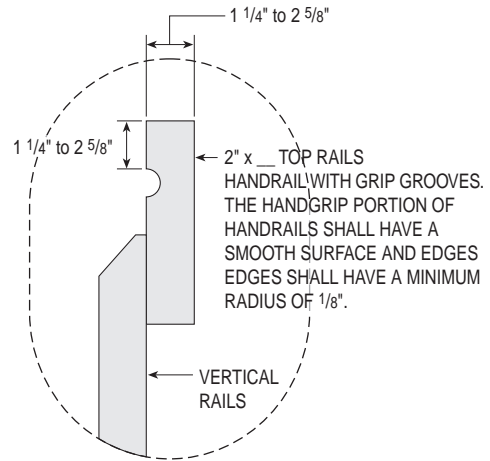


Residential Landings, Decks, Stairs and Railings

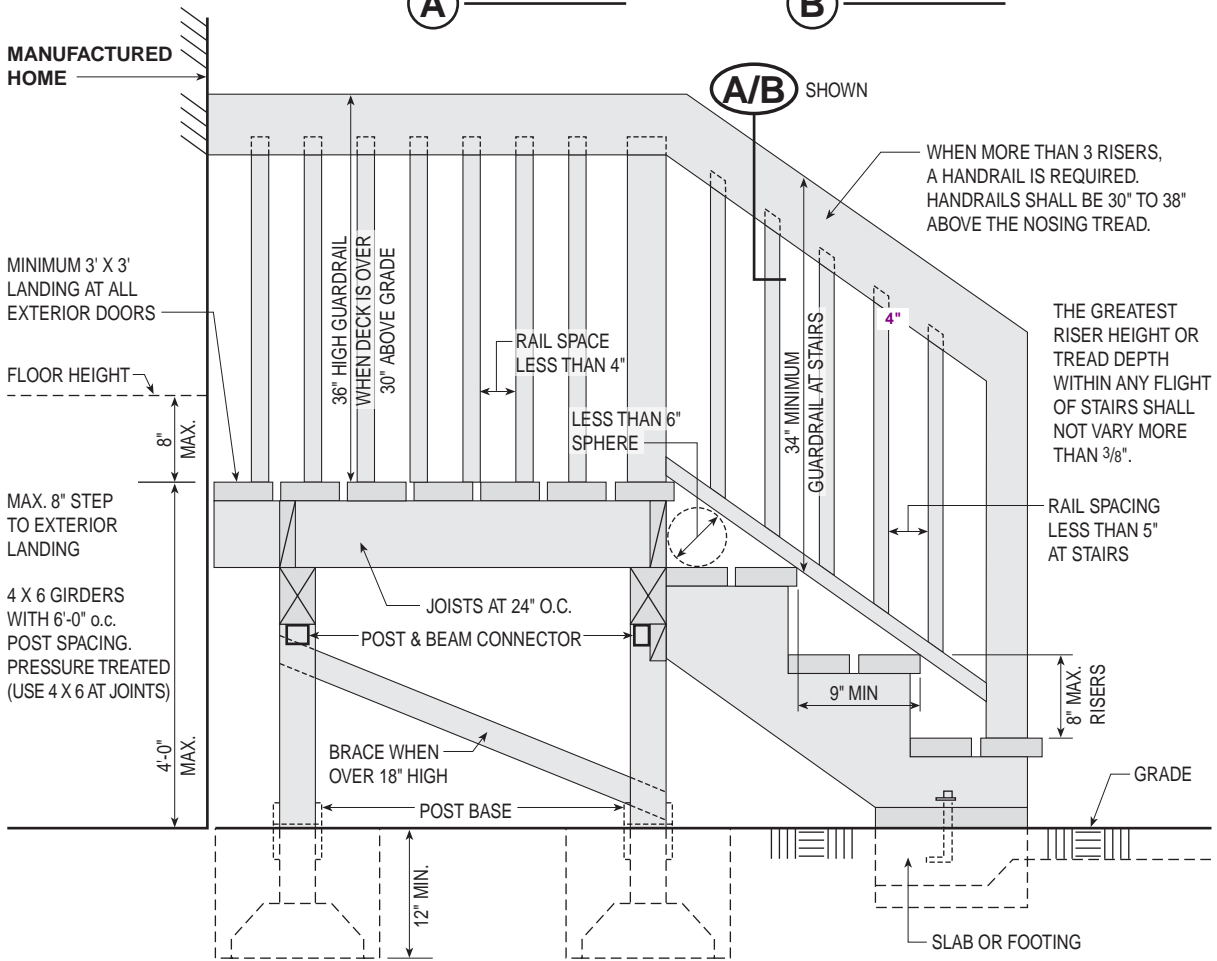
ALTERNATE ATTACHMENT TO SITE BUILT HOUSE



A STAIR RAILING



B STAIR RAILING



JOIST SYSTEM (FOR LANDINGS AND SIMPLE SPAN DECKS)

2 x 6 PRESSURE TREATED JOIST AT 24" ON CENTER MAY SPAN 7'-6"

2 x 8 PRESSURE TREATED JOIST AT 24" ON CENTER MAY SPAN 10'-0"

USE 12" SQUARE X 12" DEEP CONCRETE FOOTINGS AT 6'-0" ON CENTER.