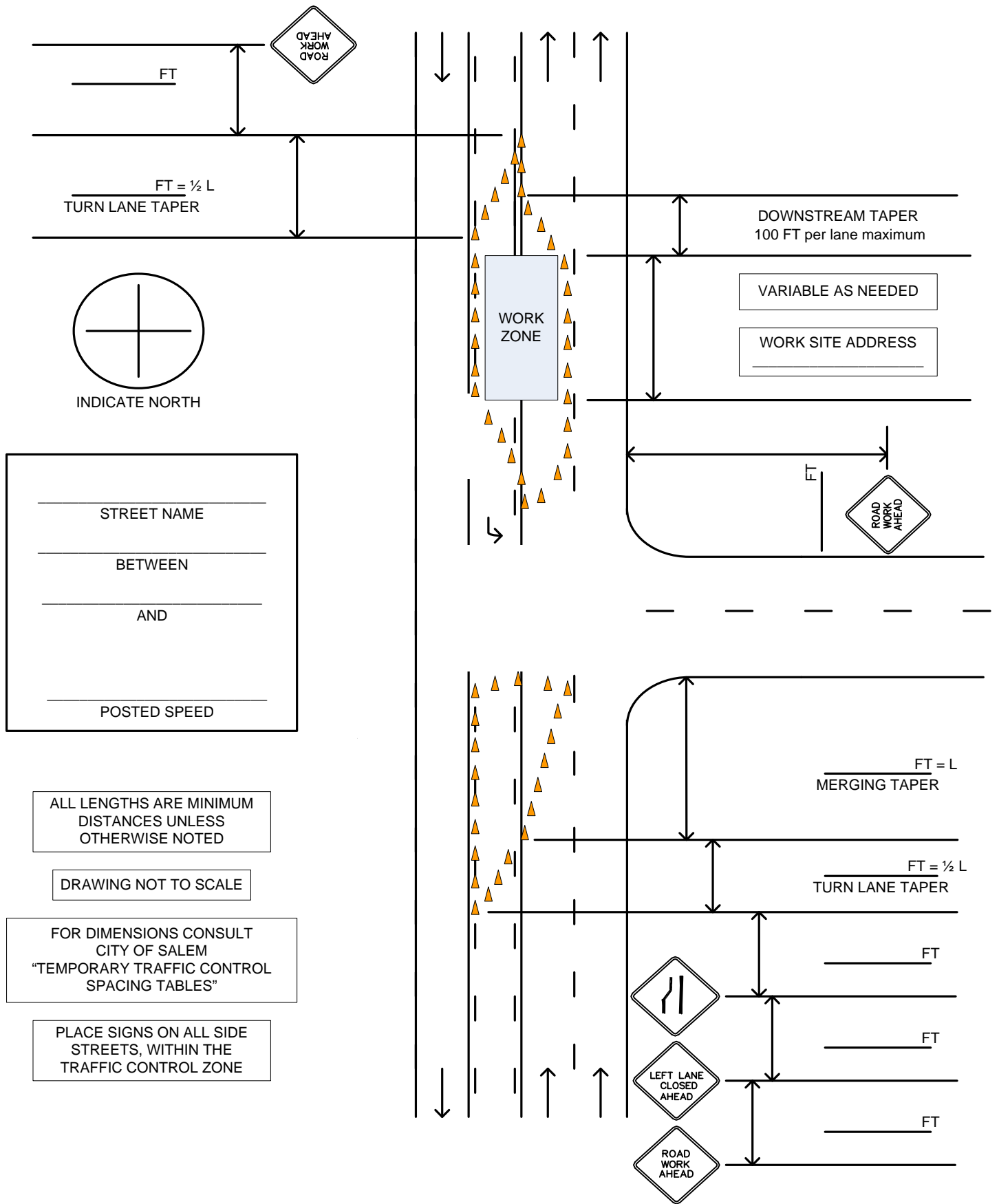


CENTER LANE AND TURN LANE CLOSURE AT INTERSECTION, 4 LANE - 2 LANE STREET



ALL LENGTHS ARE MINIMUM DISTANCES UNLESS OTHERWISE NOTED

DRAWING NOT TO SCALE

FOR DIMENSIONS CONSULT CITY OF SALEM "TEMPORARY TRAFFIC CONTROL SPACING TABLES"

PLACE SIGNS ON ALL SIDE STREETS, WITHIN THE TRAFFIC CONTROL ZONE

Sight distance shall be maintained at all public and private intersections and driveways. If sight distance is not achievable, prior approval by the City Traffic Engineer is required to either restrict turn movements or use flaggers and shall include coordination with the affected property/business owner(s).