



January 10, 2018 - SCAN Monthly Meeting  
South Salem High School Library

Board Members Present: Jon Christenson, Carel De Winkel, Delmy Edwards, Jesse Irizary, Kathleen Moynihan, John Prohodsky, Ron Rubel, Jim Scheppke, Jeff Schumacher, Roz Shirack, Carol Snyder, Brian Sund, Lorrie Walker, Mark Wigg (14). *See Exhibit A - Attendance Roster*

Meeting called to order at 6:35 pm by President Jeff Schumacher with a quorum of 12 board members present at commencement.

### **1. Introductions**

Everyone present introduced themselves including Board members, Councilors, neighbors and guests.

### **2. Adoption of Minutes**

Motion by Shirack with second to approve minutes from the November 8, 2017 meeting. Minutes approved with one abstention.

### **3. City and Council Reports:**

- A. Officer Pinkerton reported on the new police facility. The site has been purchased and will be cleared by February. City will update the community with an informational website. The Ivanhoe Apartments on Vista has been the site of a lot of crime that the SPD has been working on. The officer offered tips to prevent theft. Know your neighbors and we sure to call the SPD if you see suspicious activity. Don't leave packages on your porch. The officer was asked about burglaries at Subway. Arrests have been made. The officer was asked about the canine unit. Three dogs have retired due to age. They are now down to three dogs but will be back to full strength in April.
- B. Code Compliance Officer II Romano reported on Oregon white oaks that have been cut down recently. One man cut two trees down on his property and she had to fine him with a large civil penalty. She asked everyone to call the Planning Department if you have question about tree removal. There is one derelict structure at 1100 Saginaw. 330 Mission Street is a dangerous building. It will be demolished soon. There were questions about derelict cars and illegal signs on fences. On February 2<sup>nd</sup> there will be another sweep by City staff to collect illegal signs in the right of way.

C. Councilor Andersen reported on services for Nadine Heusser. SCAN was well represented. Lorrie Walker made some nice remarks. There will be an MLK Day March at McKay High School on Monday. The City Council is working to address homelessness problems in the city. Right now the effort is to house 100 chronically homeless persons. Andersen went on a tour of the Union Gospel Mission with new director Dan Clem. City has purchased an option on UGM Bldg. UGM is moving north. The city or may not exercise it. The Council is working on opening a sobering center this year. Andersen brought up the issue of the streetlight fee that he believes is unfair to residential homeowners. It may be time to revisit it. Andersen is pleased that an environmental action plan was added to the new City Strategic Plan. In response to questions Andersen commented on a possible ban on plastic bags and on the Clean Energy Jobs Bill which will be considered by the Council's Legislative Committee that Andersen sits on. Andersen also commented on garbage rates and on the task force on System Development Charges that he chairs.

**4. Announcements:**

- A. Jon Christenson invited everyone to a reception honoring artist Nancy Lindberg at Bush Barn on January 19<sup>th</sup> from 5:30 to 7:30 p.m.
- B. Schumacher had coffee with Lelani Slama of Salem Hospital to talk about plans for more buildings on their campus. There is a plan to expand Building A to the east. Someone will come and make presentation at a future SCAN meeting.
- C. Schumacher announced that SCAN will hold a forum on the school bond issue at the April 11<sup>th</sup> meeting.
- D. Christenson brought up more questions and discussion about expansion plans by Salem Hospital.
- E. The next SCAN Meeting is February 14<sup>th</sup> which is Valentine's Day and Oregon's birthday. The meeting will be held as planned.
- F. Lorrie Walker announced that January 31<sup>st</sup> is the "point in time count" of homeless persons. Volunteers are needed.

**5. Presentation on "Salem Reads":** Jim Scheppke presented information about this year's "Salem Reads" program at the Salem Public Library, sponsored by the Salem Public Library Foundation. This year everyone is encouraged to read *Outcasts United* by Warren St. John which is the story of refugee families that get involved in youth soccer in a small town in Georgia. Scheppke distributed a February events calendar and bookmarks and encouraged everyone to participate.

**6. Neighborhood Concerns:** There were no neighborhood concerns.

**7. Capitol City Cycleshare:** Evan Osborne presented information on Capitol City Cycleshare. This will be a new 24/7, 365 day service providing bicycles in the community. The goal is to launch the service on April 29<sup>th</sup> starting with seven stations around the community and eventually expanding the service. The program has attracted many sponsors, but more sponsors are needed to build out the service to more of the community. *See Exhibit D for more info.*

**8. Committee Reports:**

A. Land Use & Transportation (contact Chair Roz Shirack with questions)

- a. Summary of current issues before Committee in *Exhibit B - Land Use & Transportation Committee Report*
- b. Shirack reported that the committee has dealt with two issues in the past couple of months. One was a routine partitioning proposal that the committee supported. The other was support for a funding request by the Salem-Keizer Transit District. The SCAN Board held an email vote on the latter on December 29<sup>th</sup> and voted to support the District's request with 10 members in favor and none opposed.

B. Historic Preservation, Parks & Gardens (contact Co-Chair Jon Christenson w/ questions)

- a. Summary of current issues before Committee in *Exhibit C - Historic Preservation, Parks & Gardens Committee Report*
- b. Christenson asked for a moment of silence for Nadine Heusser and spoke about her many contributions to the community.

**9. Adjourn**

There being no additional business, the meeting was adjourned by SCAN President at 8:30 pm.

Submitted by Jim Scheppke, SCAN Secretary



## **Exhibit B**

### **SCAN Land Use and Transportation Committee Report January 10, 2018**

The Land Use and Transportation Committee did not meet in December, but we discussed several issues via email.

1. The Committee considered eight street and transit projects eligible for \$5 million in Federal funds available through the Salem-Keizer Area Transportation Study (SKATS) Transportation Improvement Program. The Mid-Willamette Valley Council of Governments (COG) staff are analyzing the eligible projects and asked for input. None of the street-specific projects are in SCAN. The Salem Area Mass Transit District requested a project to improve the efficiency of its transit system. The Committee unanimously agreed to support that project.

The Committee forwarded its recommendation to the full SCAN Board. Ten board members responded with a unanimous “yes” vote. Roz sent brief comments in support of the Transit District’s project to the COG staff on December 29, with a copy emailed to the SCAN Board.

2. The Committee reviewed a request to partition the lot at 2520 Summer St. SE into 2 lots. Both lots would meet the required minimum lot size of 4,000 square feet. Eight of ten Committee members responded with a unanimous “yes” vote. Roz sent comments in support of the partition from the Committee (not full SCAN Board) to staff by the December 29 deadline, with a copy emailed to the Committee.

Submitted by Roz Shirack, Chair

## Exhibit C

### Historic Preservation, Parks, & Gardens Committee Report for January 10, 2018

#### Community Gathers to Honor Nadine Heusser

On Saturday, January 6, 2018, members of the community gathered at Woodland Chapel to honor Nadine Heusser, former SCAN Board member and past president of the Bush House Auxiliary. Nadine passed away on December 23, 2017. Teacher, musician, well traveled, spouse of Roger Heusser, mother of two fine sons, grandmother to four beautiful grand daughters, Nadine lived life with grace, and respect and openness to others.

Active in community affairs, Nadine was honored twice by the City of Salem with Distinguished Service Awards. Nadine also served and often hosted the SCAN Historic Preservation, Parks & Gardens Committee meetings, chaired the Gallery Guides at Bush Art Barn, and was recipient twice of the Salem Art Association's prestigious "Volunteer of the Year" Award.

#### Design Review Case No. HIS17-43 - 1575 Cottage Street SE

On December 8, 2017, administrative approval was given by the City Historic Preservation Officer under SRC 230.020 (f) for a proposal to replace an existing gravel driveway with a new concrete driveway. Located with the GH/BPP Historic District, the residence is a historic (1930), non-contributing resource. The proposal was determined to meet the Criteria under SRC 230.070 General Guidelines for Non-Contributing Buildings and Structures (Minor Review).

#### Design Review Case No. HIS-17-36 - 475 Leslie Street SE (Ritter Residence)

On December 21, 2017, the Historic Landmarks Commission approved a proposed sidewalk replacement on the property. As part of the project, and in testimony, the architect, Ron James Ped, (PC) made a commitment to "consult with an arborist to verify" the installation "will not be impacting" an adjacent mature Douglas Fir immediately to the west -- on the property of neighbors, Kendra Mingo and Dr. David Craig.

A blue spruce will be removed and "replaced by native species and more appropriate period landscape." Specifically, "the tree will be replaced with deciduous species" that "will frame the territorial view of the house and the view of the house from the street" (Mr. Ped, December 21, 2017).

#### Carroll Cottingham Appointed to Commission

Carroll Cottingham, a resident of the Gaiety Hill/Bush's Pasture Park National Historic District, has been appointed to the Landmarks Commission. Under U. S. Department of Interior guidelines for National Register districts, the Commission is to include individuals with professional standing or experience in historic preservation, architecture, the arts, design, land use, and related fields. Commissioner Cottingham has credentials in historic preservation.

#### Historic Landmarks Commission Winter Newsletter

Attached is the latest HLC Newsletter. A highlight is an article and photographs on a recently uncovered Chinese shine in Pioneer Cemetery next to Fairmount Hill, and work by Dr. Scott Pike, and archaeology students from Willamette University. Salem had a recognizable Chinese district in the late 1800s. In 1903, the City Council condemned the area and ordered burned down.

Exhibit D



Presented by: Evan Osborne, MPH, BSRT(T) (ARRT)



# What is a Bike-share?

- Automated and self-service access to bikes
  - Strategically placed check-out/in stations
  - 24/7 access to active transportation
- Rider Benefits
  - Storage
  - Maintenance
  - GPS Tracking
  - Cost-effective & healthy transportation



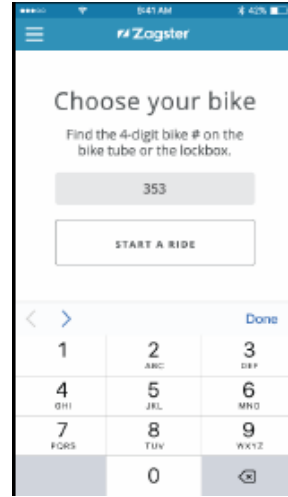


# Why a Bike-share?

- **Quality of life**
  - Investment in health of community/population health
  - Outlet for activity-able to enjoy our parks and large waterfront park system
  - Engage community
- **Increase business revenue**
- **Tourism benefits**
- **Increase property value**
- **After hours/weekend transportation**
  - Public transit not active on weekends
- **Low income/no car demographic served**
  - No bike purchase/accessories necessary, Maintenance, Storage
- **Environmental benefits – lowers emissions**
  - Less cars on the road = less traffic = less congestion (i.e. West Salem Bridge)

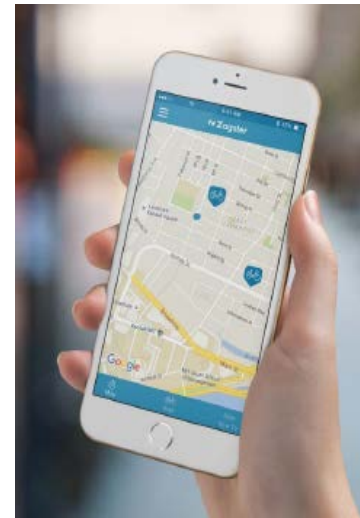
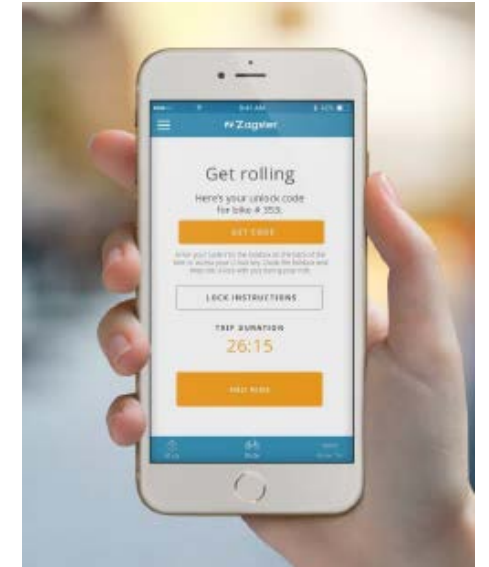
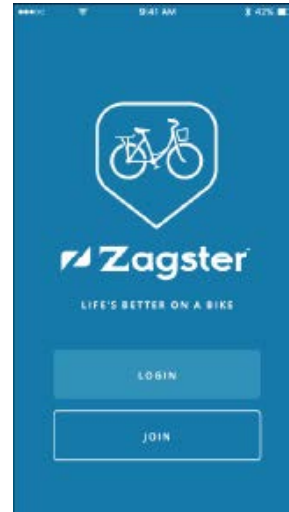
# The Equipment

- Stations/Kiosk
- Smart App
  - Bluetooth Ring
  - GPS Tracking
- Smart Bike

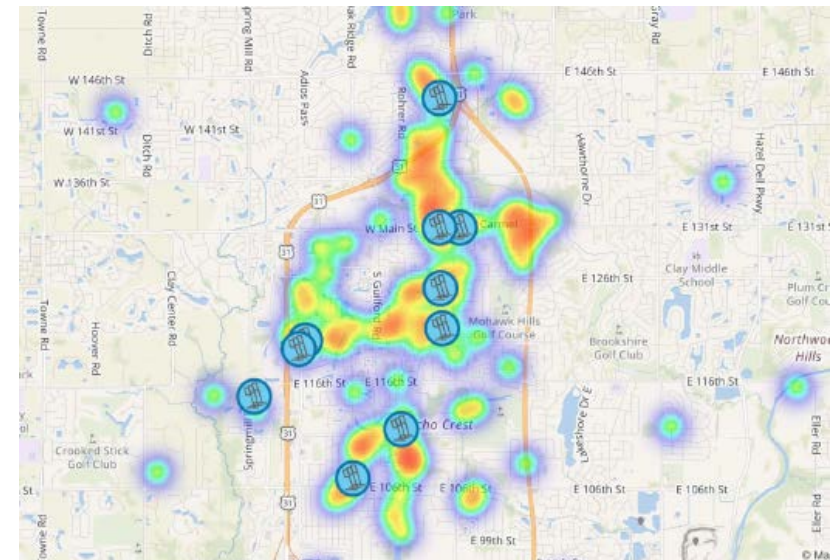
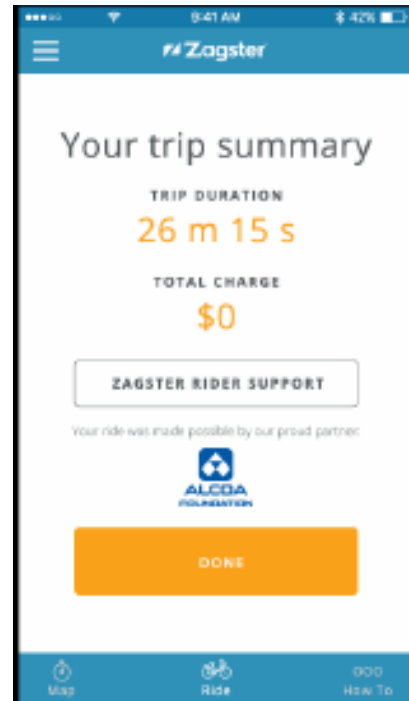
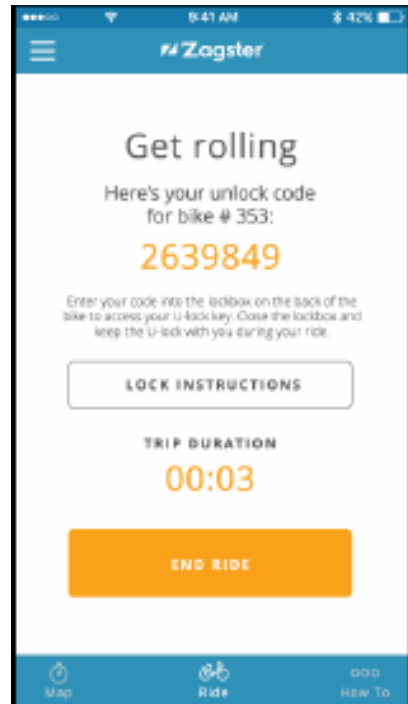


# How to use the Program

- Setup Account
  - Smart/Cell/PC
  - Credit Card
- Find a Station
- Reserve/Borrow Selected Bike
- Unlock
- Ride!



# Software Features



# Additional Fleet Options



Tricycle



Recumbent



Side-by-Side



Cargo



Heavy Duty



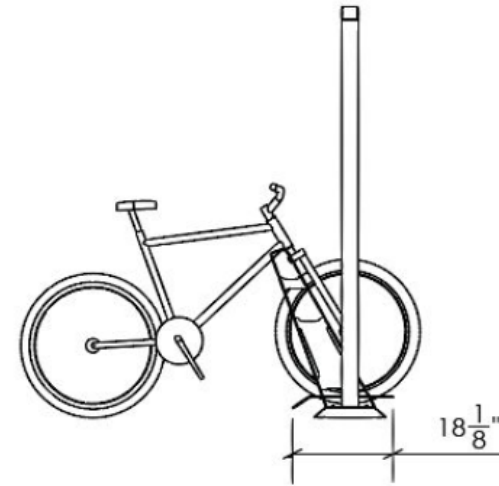
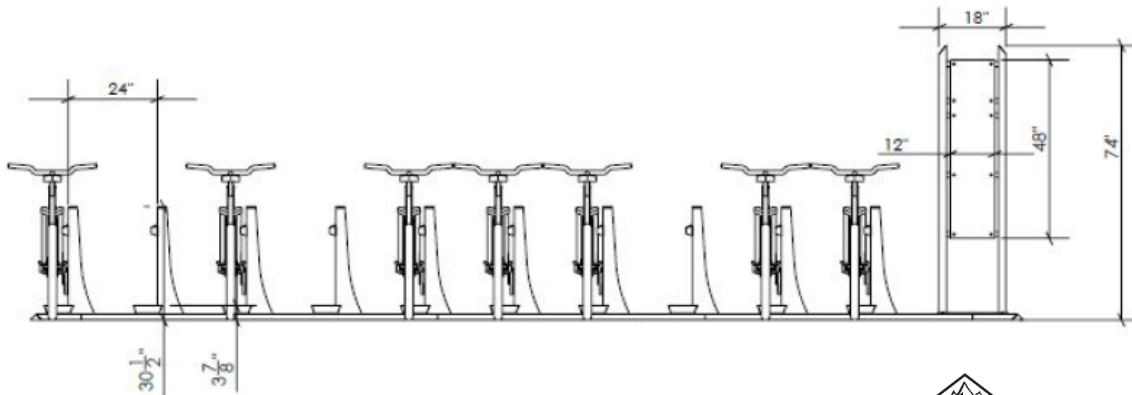
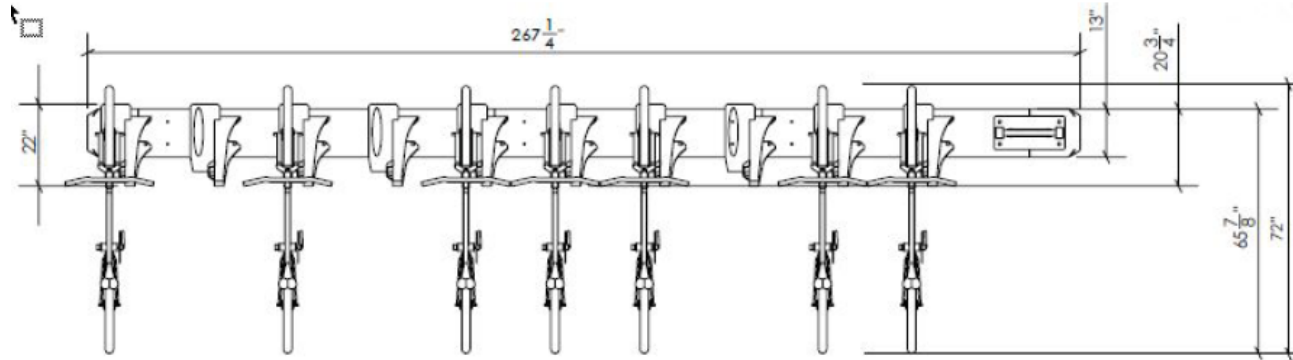
Hand Cycle

# Anticipated Pricing

<b>MEMBERSHIPS</b>	<b>PRICE</b>
<b>ANNUAL</b>	<b>TBD</b>
<b>BUSINESS &amp; STUDENTS</b>	<b>TBD</b>
<b>MONTHLY</b>	<b>TBD</b>
<b>3-DAY PASS</b>	<b>TBD</b>
<b>HOURLY PASS</b>	<b>TBD</b>
<b>24-HOUR SERVICE FEE</b>	<b>TBD</b>



# Standard Station Specs



Can Be Modified!!!

# Modified





# Sponsorship Assets

## 1 Branded Bike Baskets



## 2 Branded Station Signs



## 3 Digital



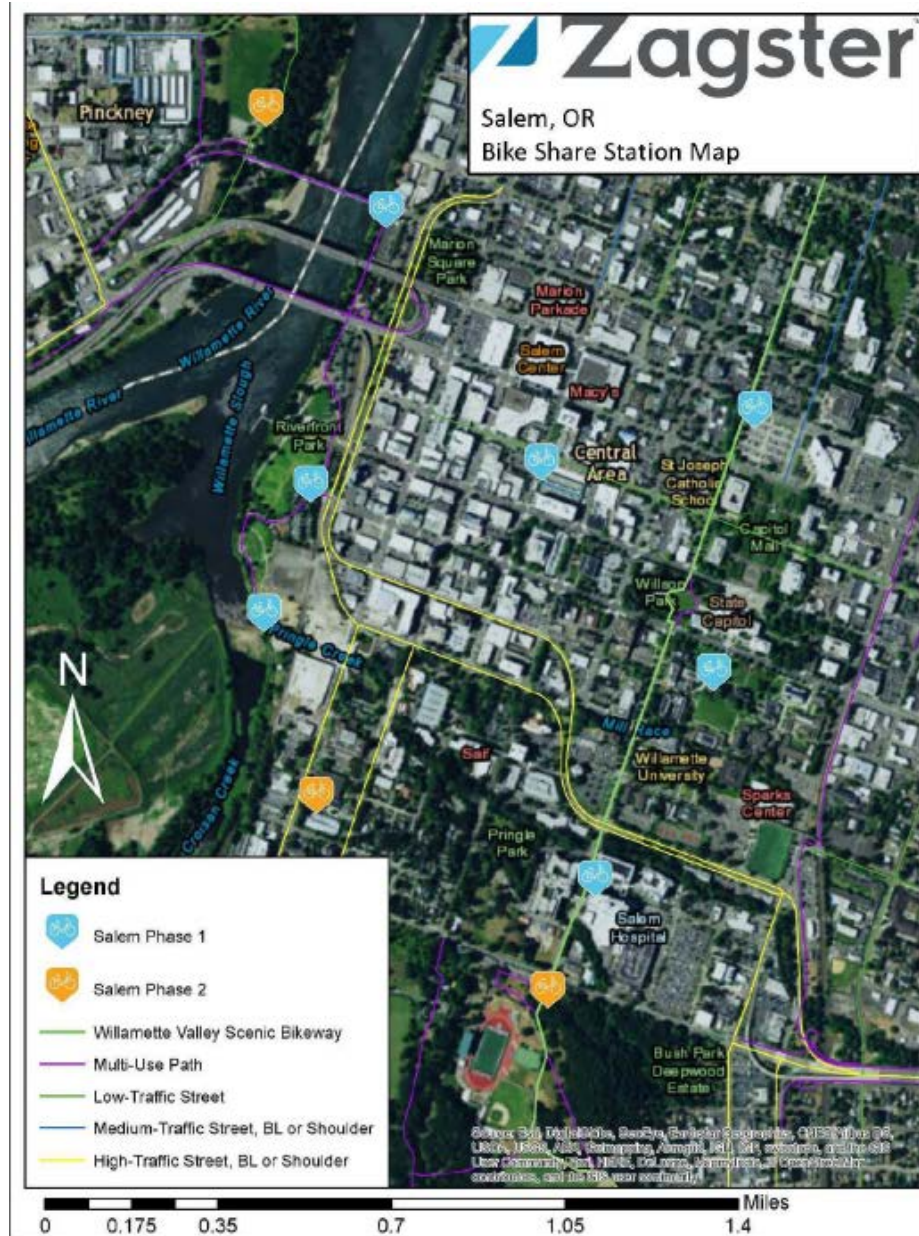
## 4 Print



## Exhibit D

### Funds Driven Initiative Locations:

- Minto-Waterfront Ped Bridge
- Carousel or Convention Center area
- Commercial & Trade (SE corner)
- Union St. Railroad Bridge East & West
- Gilbert House area
- Transit Mall
- Saturday Market/Blue Lot
- Willamette U. — State & 12<sup>th</sup>
- Salem Hospital Campus
- Bush Park
- Salem Public Library
- Willamette Heritage Center
- Capitol Mall



# Sponsorship Packages

## Stand Sponsor

- Brand inclusion on marketing materials and websites
- Sponsor name on stand
- 1, 1-year membership



## Bike Sponsor

- Brand inclusion on marketing materials and websites
- Brand/Logo on 1 bike
- 2, 1-year memberships



## Specialty Cycle Sponsor



# Sponsorship Packages

## Business Sponsor

- Brand inclusion on marketing materials and websites
- Business/Organization's logo on 2 bikes
- 5, 1-year memberships
- 10% off membership discount code



## Station Sponsor

- Business logo on kiosk/station named after sponsor
- Logo on all marketing materials and websites
- Brand/logo inclusion on 5 bikes
- 10, 1-year memberships
- 10% off membership discount code



# Flagship Sponsor

- Custom paint (175 cycles)
- Program named after sponsor
- 25 Stations/Kiosk Naming rights
- All branding with sponsor's logo (signs, print, web, etc)
- Involved in strategic planning
- 25 Station locations, pending permits/right-of-ways

**Nike paid Biketown \$10,000,000 to get their name on the program**



Exhibit D



CONTACT US FOR MORE INFORMATION:  
[CAPITOLCITYCYCLES@GMAIL.COM](mailto:CAPITOLCITYCYCLES@GMAIL.COM)

# Our Sponsors

- Salem Summit Company
- US Bank
- Salem Health
- Cherriots| Salem-Keizer Transit
- Thrivent Financial
- Venti's
- Salem Leadership Foundation
- Ritter's
- Huggins Insurance
- Willamette Community Bank
- Bliss Sequoia Insurance
- In House Graphics
- Chipotle



Exhibit D

# Questions?

